

Terminal Specifications & Requirements

Power (Normal operation)	8W (nominal), 12W (peak)
Power (Access control)	24W (peak) when also powering electric strikes
Network	10/100 Ethernet, or Wi-Fi 802.11n 2.4 GHz, 5 GHz
RFID (optional)	Supports 26-bit Wiegand 2-wire interface
Power Relay	10 Amps, 250V
Back-panel Connectors	Standard RJ45 for PoE/Ethernet (recommend Cat 5 or 6). Includes 12in/300mm wire-harness for optional features: power-relay, Wiegand, push-button, etc (if using Wiegand, recommend standard fob/card reader traveler cables)

Installation Options (Power)

PoE or PoE+	Power over Ethernet, 15W (802.3af) or 25W (802.3at)
DC Power	Any DC voltage source between 12VDC and 24VDC is supported

Installation Options (Network)

Ethernet	10/100 standard network connection
Wi-Fi	802.11n (2.4 GHz, 5 GHz)

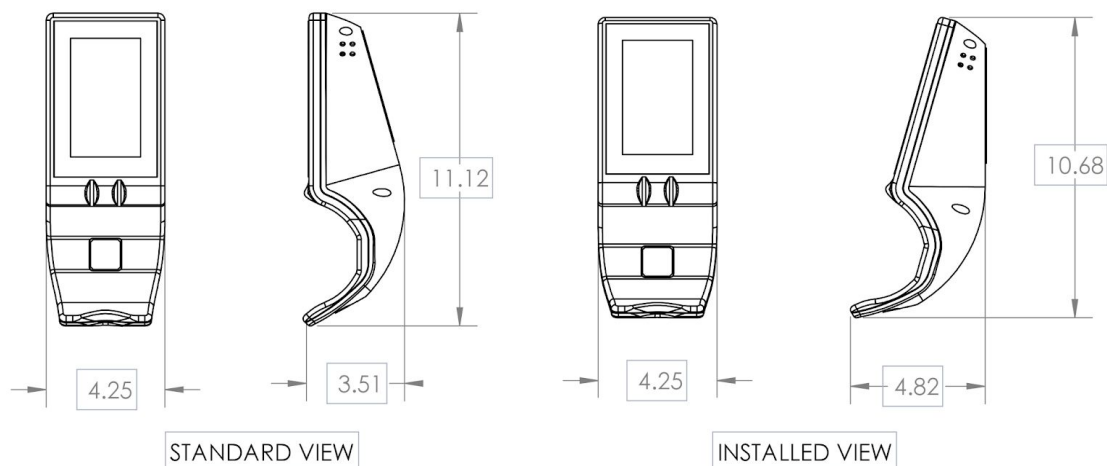
Installation Height

Wall Mount	143cm (centimeters) or 57in (inches) from the floor
------------	---

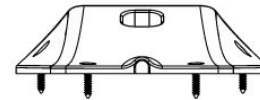
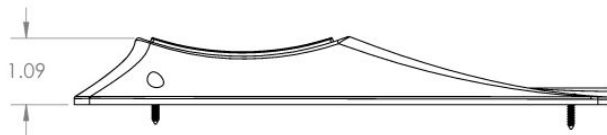
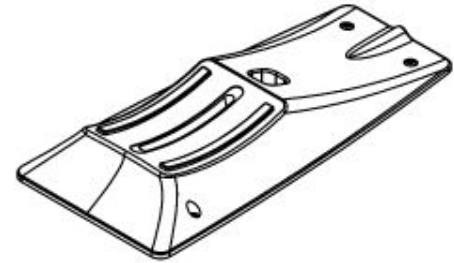
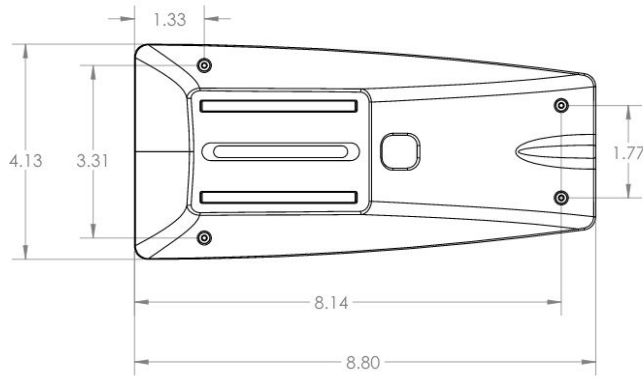
Mechanical

** All measurements in inches

Keyo Smart ID Terminal -



Horizontal Stand -



Wall Mounting Bracket -

